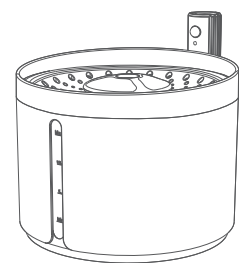


名称	D08智能感应无线饮水机说明书 (英文版)		
文件编号	JS21MKTPKDxxxCH	文件版次	3.0
尺寸	630*90MM		
材质工艺	128克哑粉纸 风琴折		
设计	赖伟全	时间	2024/1/29
审核			



## Dogness Smart Sensor Portable Water Fountain User Manual



### BEFORE USING THIS PRODUCT, PLEASE READ THIS MANUAL.

Thank you for purchasing DOGNESS smart products. For your safety and concern, please read this product manual carefully prior to use. Failure to follow and operate this product in accordance within the manual and issues that result in any personal injury, property or other losses, DOGNESS has no liability except as expressly provided by law.

### ABOUT THE PRODUCT MANUAL

The authorization, trademark, and font size of the manual belong to DOGNESS and other related parties. If the content of the manual is inconsistent with the actual product (including APP), the actual product (APP) shall prevail. DOGNESS reserves the right (including electronic version) to interpret and modify the manual within the scope permitted by law. If you have any objection to any content or terms of the manual, please submit a written objection to DOGNESS, within 7 days after purchasing the product. Otherwise you agree, understand and accept the entire contents within this user manual.

**NOTE:** In an effort to provide the best user experience for you and your pet, our products are continually updated and improved. Therefore this user manual may have slight differences from the actual product.

### SPECIFICATIONS

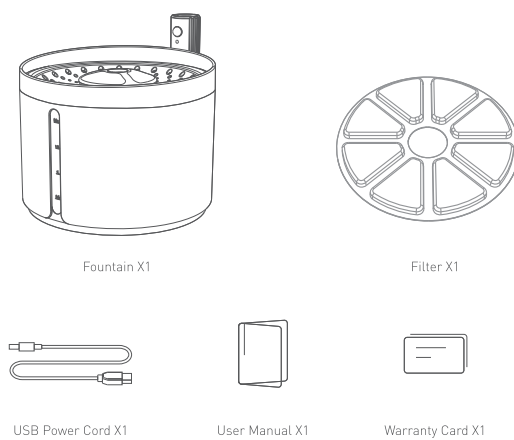
**Product Name:** Dogness Smart Sensor Portable Water Fountain  
**Model:** D08  
**Size:** L 7.09" x W 8.37" x H 6.77"  
**Weight:** 2.14 lbs.  
**Capacity:** 2.2 Liters  
**Material:** ABS  
**Battery capacity:** 2400mAh  
**Power:** 5V 1A  
**Includes:** Fountain, 5ft. USB Power Cord, and Filter.  
 \* The device needs to be used with a 5V/1A power adaptor.

### FEATURES

- MOTION ACTIVATED:** Intelligent motion sensor activates the water flow when sensing movement within 5ft. Automatically stops after usage, saves energy and consumption.
- PORTABILITY:** Portable when using the built-in rechargeable battery option.
- FILTRATION SYSTEM:** Three-stage filtration system with carbon activated filter cleans and removes debris and odors for better tasting and healthier water.
- WATER LEVEL SENSOR:** Built-in light changes to red color when water level is low.
- ULTRA-QUIET:** Muffled to minimize water droplet noise, pump is whisper quiet.
- SAFETY:** Dry-run protection, pump automatically shuts off if empty. Non-inductive electrical design, prevents against electrical shock.
- CAPACITY:** Tank holds up to 2.2 liters of water.

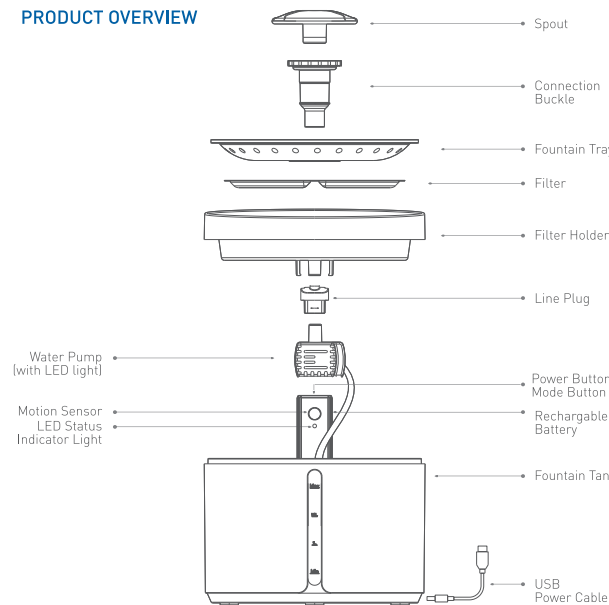
### PRODUCT CONTENTS

Please confirm the following items are contained in the box prior to usage.

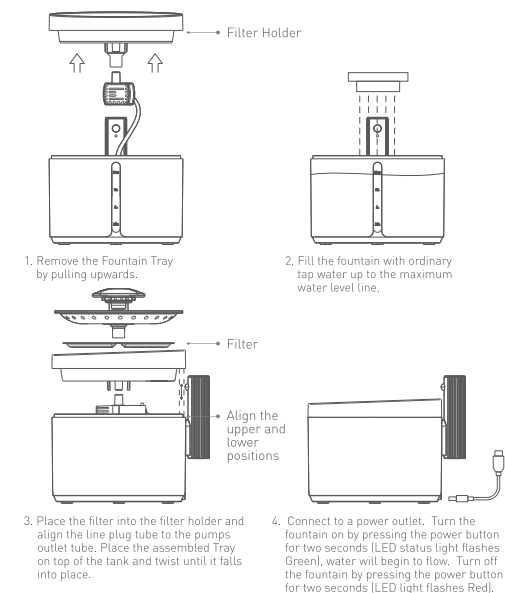


\* Requires USB Type-A Power Adaptor (not included).

### PRODUCT OVERVIEW



### FOUNTAIN ASSEMBLY



### WATER FLOW MODES

**MOTION ACTIVATED FLOW MODE 1:** The fountain will discharge water when movement is detected within 1.5m (4.92 feet) of the water fountain. Water will flow for 60 seconds or until the pet leaves. To prevent stagnation, the fountain automatically activates water flow every 2 hours for 60 seconds.

**MOTION ACTIVATED FLOW MODE 2:** The fountain will discharge water when movement is detected within 1.5m (4.92 feet) of the water fountain. Water will flow for 60 seconds or until the pet leaves. To prevent stagnation, the fountain automatically activates water flow every 30 minutes for 60 seconds.

### SWITCHING BETWEEN MODES 1 AND 2

With the fountain powered on, tap and release the MODE button once to switch between Mode 1 and Mode 2.

### DEFAULT MODE

At it's initial use the water fountain will be in MODE ONE.

### POWER SUPPLY

#### BUILT-IN RECHARGEABLE BATTERY

1. Wire Free, the fountain can be powered by the rechargeable battery for portability. 2. When fully charged (in mode #1), the water flow will activate up to 32 times per day. The battery has standby by days of up to 25.



#### WIRED POWER SUPPLY

1. Connect the power cord to the USB power port located at the upper section of the fountain. 2. The USB power cord will simultaneously charge the battery.

### LIGHT INDICATOR DESCRIPTIONS

#### MODE STATUS LIGHTS:

MODE STATUS	MODE 1: Water Flow Activates every ~2 hours	MODE 2: Water Flow Activates every ~30 minutes
<b>NORMAL OPERATION</b>	Green light flashes three times when switching between modes. 1. Motion Detection Mode: Solid Green Light. 2. Non-Motion Mode: Slow Flashing Green Light.	Blue light flashes three times then off when switching between modes. 1. Motion Detection Mode: Solid Blue Light. 2. Non-Motion Mode: Slow Flashing Blue Light.

#### LOW WATER

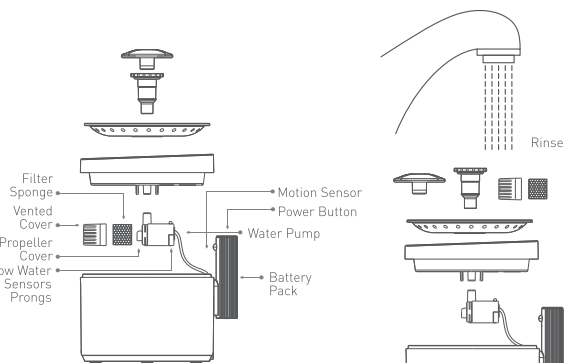
**LOW BATTERY** Light is Off or Flashing Red

### LED POWER BUTTON LIGHT DESCRIPTIONS:

STATUS	CHARGING (Battery not fully charged)	LOW BATTERY (Not plugged in)	BATTERY FULLY CHARGED	NORMAL OPERATION (Without power supply)	LOW WATER
<b>LED POWER BUTTON LIGHTS</b>	SOLID RED	SLOW FLASHING RED	SOLID GREEN	LIGHTS OFF	SLOW FLASHING RED

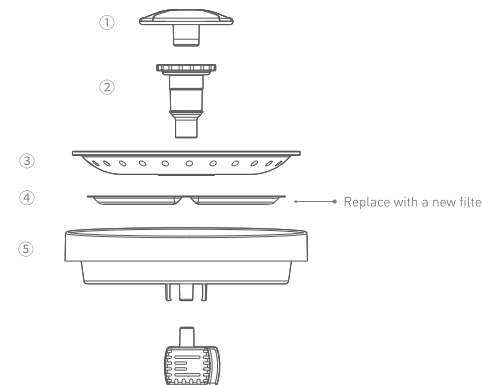
### MAINTENANCE AND CLEANING

Regular cleaning is necessary to ensure the fountain continues to operate at an optimum level.



- Press and hold the power button for two seconds to TURN the fountain OFF (LED light flashes Red), unplug the power supply, open the fountain and disassemble the water pump by popping off the vented cover and remove the sponge filter, propeller cover and the propeller.
- Flush the pumps internal parts with running water and clean the inside of the tank and filter tray with mild soap, rinse thoroughly with water.  
**NOTE:** Use care when cleaning the motion sensor; use a dry cloth, never use harsh chemicals as it could damage the sensor lens cover. Fountain or any of its components are NOT Dishwasher safe.
- Reassemble after cleaning.

### REPLACE THE FILTER



**Note:** Replacement filters are available at Dogness.com or at other retailer websites. Make sure to order filters that are compatible with this fountain.

#### RECOMMENDATION FOR CLEANING CYCLE

- Clean the fountain 1-2 times per week, including the filter elements, pump, tank, filter holder and tubing.

#### FILTER ELEMENT REPLACEMENT INSTRUCTIONS

- For the best filtration result, recommend to replace the filter elements every 30-45 days to ensure the water quality.
- The new filter element needs to be rinsed and soaked in clean water for 3-5 minutes, the activated carbon particles should be rinsed clean, and the filter elements should be fully soaked.

Entrusting Party: Dogness Group LLC  
 Address of Entrusting Party: 4116 W Spring Creek Pkwy, Plano, TX 75024  
 Manufacturer: Jiazheng Enterprise Co., Ltd.  
 Address of Manufacturer: No. 3 W Yuehua Rd, Tongsha New Industry Park, Dongguan, Guangdong, China 523127  
 Website: www.dogness.com

### PRECAUTIONS

- The water volume of the fountain should not be lower than the water sensor on the water pump. If the water level is too low, it will automatically shut off. Please pay close attention and monitor the water level to prevent shortages. When adding water, the amount of water should not exceed the MAX level line.
- When the LED light of the water pump is a solid blue, the fountain is working normally; when the LED light is a solid red, the fountain is low or out of water, replenish soon. The pump will start again when it is refilled.
- Do not force the pump to run when empty.  
**Note:** Damage caused by dry burning of the pump is not covered under the warranty.
- When unplugging the power adapter, do not pull the power cord directly.
- Prevent pets from chewing or damaging the power cord or adapter.
- This product is suitable for indoor use.
- Disconnect from power before and during cleaning.
- Use only the original power core and water pump.
- For more question, please email us at contact@dogness.com.

### FAQ

- Why is the fountain making more noise?  
**Answer:** ① The water level may be too low, please add water.  
② The water pump may be clogged with debris or hair, disassemble and clean the water pump.  
③ The water pump may be dead, it is recommended to replace the water pump.
- The USB power adapter is warm, is this normal?  
**Answer:** It's normal for the USB Power adapter to produce some heat.
- Is the pump safe and durable for long-term use?  
**Answer:** The water pump is powered by a low voltage of 5V, which is safe for both humans and pets.
- What materials are the Fountain and Pump made of?  
**Answer:** The Fountain and Pump are made of ABS material, which is safe and in line with the safety regulations of the United States, China, Germany, Japan and other countries.
- What is the Filter itself made of?  
**Answer:** The Filter is made of coconut fibers, charcoal and cotton.
- The fountain seems unbalanced...why?  
**Answer:** When the water level is low it could feel unbalanced. Replenish the water supply to equalize.
- Why does the fountain flow pressure get lower over time?  
**Answer:** There are a few common issues. The pump could be clogged, flush the intake and outflow ports of the pump with water to remove any blockage. Soak the pump in distilled vinegar overnight to clean the internal parts of the pump. Change the filter, it could be embedded with excessive debris.
- What are the two metal prongs on the outside of the pump, are they dangerous?  
**Answer:** No, those are the water level sensors, if the water level falls between the two the light will turn to Red as a reminder to replenish. If the water level is below both sensors, the pump will turn off. This is completely safe and normal.
- Why does the water overflow the sides of the fountain?  
**Answer:** The filter is dirty or full of debris which prevents the water from flowing through into the tank. Replace the filter.
- What kind of water should I use?  
**Answer:** The fountain is designed to work with ordinary tap water however if your water is "hard" it could reduce the filter life or clog the pump more frequently.
- It seems I am refilling the fountain more often...why?  
**Answer:** Pets will drink more often simply because filtered water tastes much better.